

Electrolux

ELECTROLUX HOME PRODUCTS PTY LTD

ABN 51 004 762 341

Technical Publication N° CE1489.docx

Issue: 1

Date: 8/22

WESTINGHOUSE UNDERBENCH OVENS



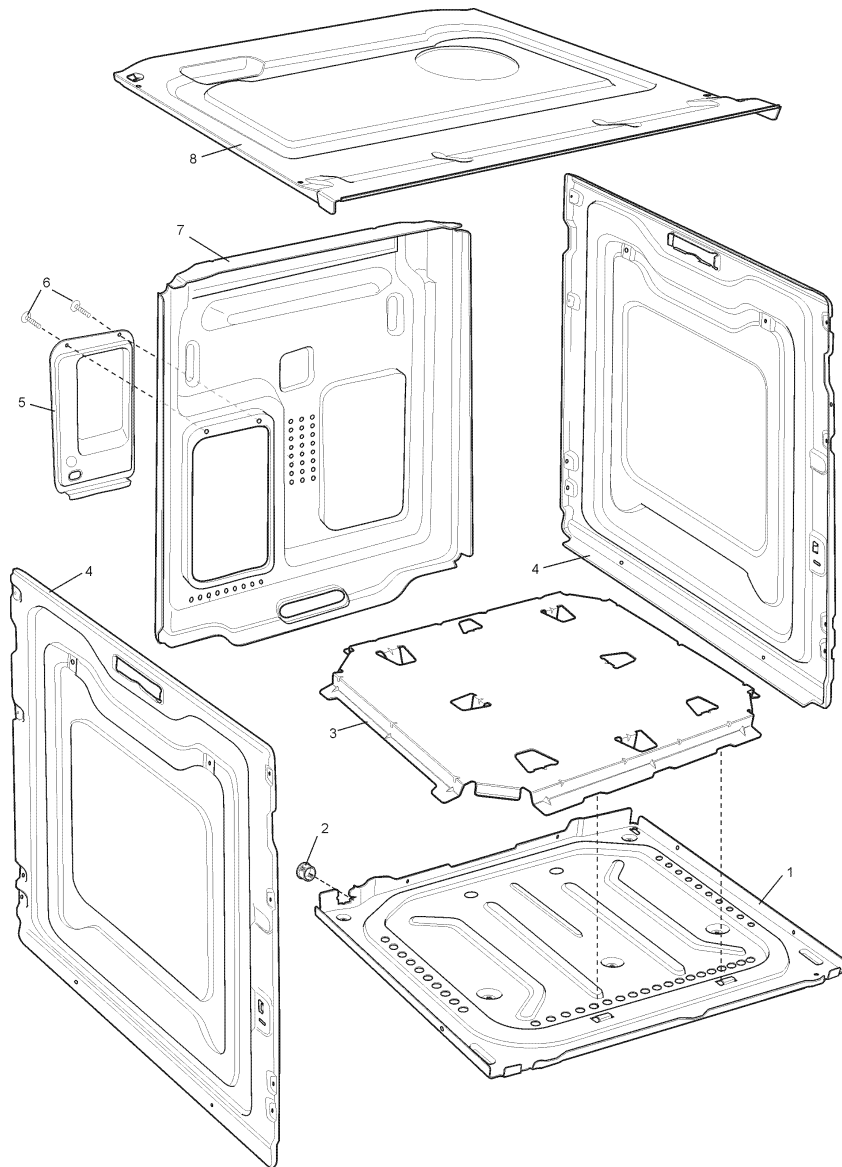
MODEL	PNC
WVEP618DSC	94403182402

A12258103

MODEL: WVEP618DSC

CHASSIS

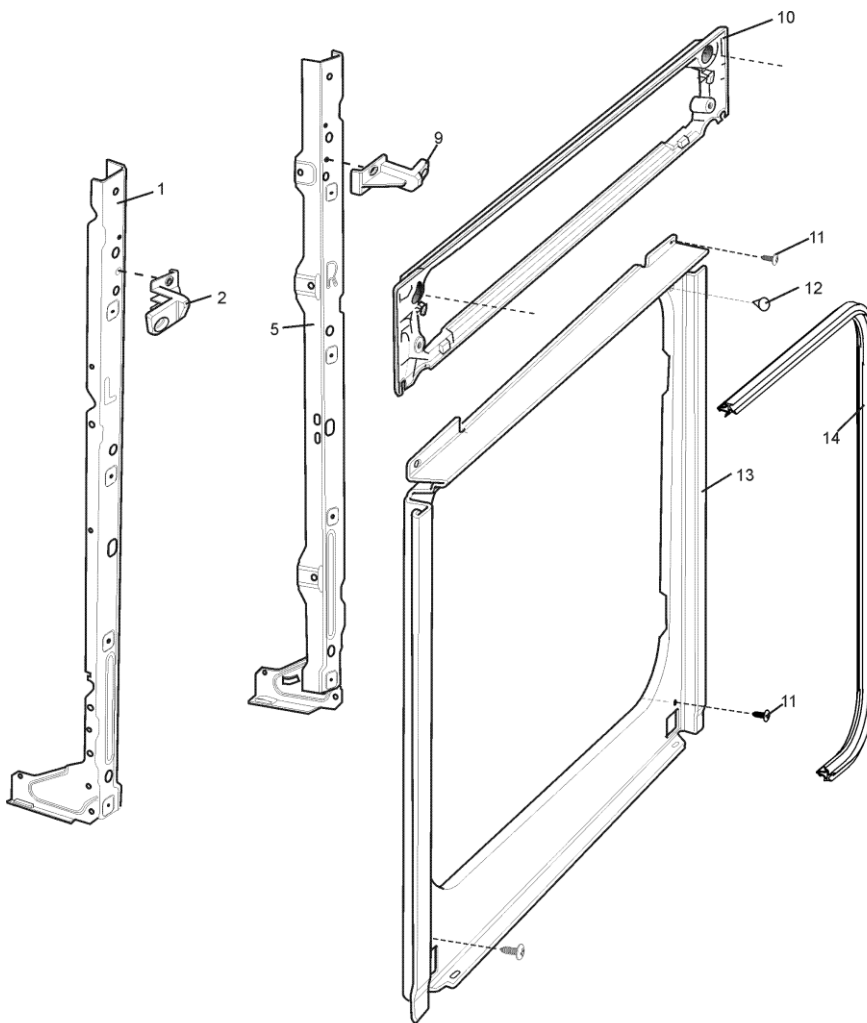
Ex 5525



MODEL: WVEP618DSC

FRONT FRAME

Ex 7714a

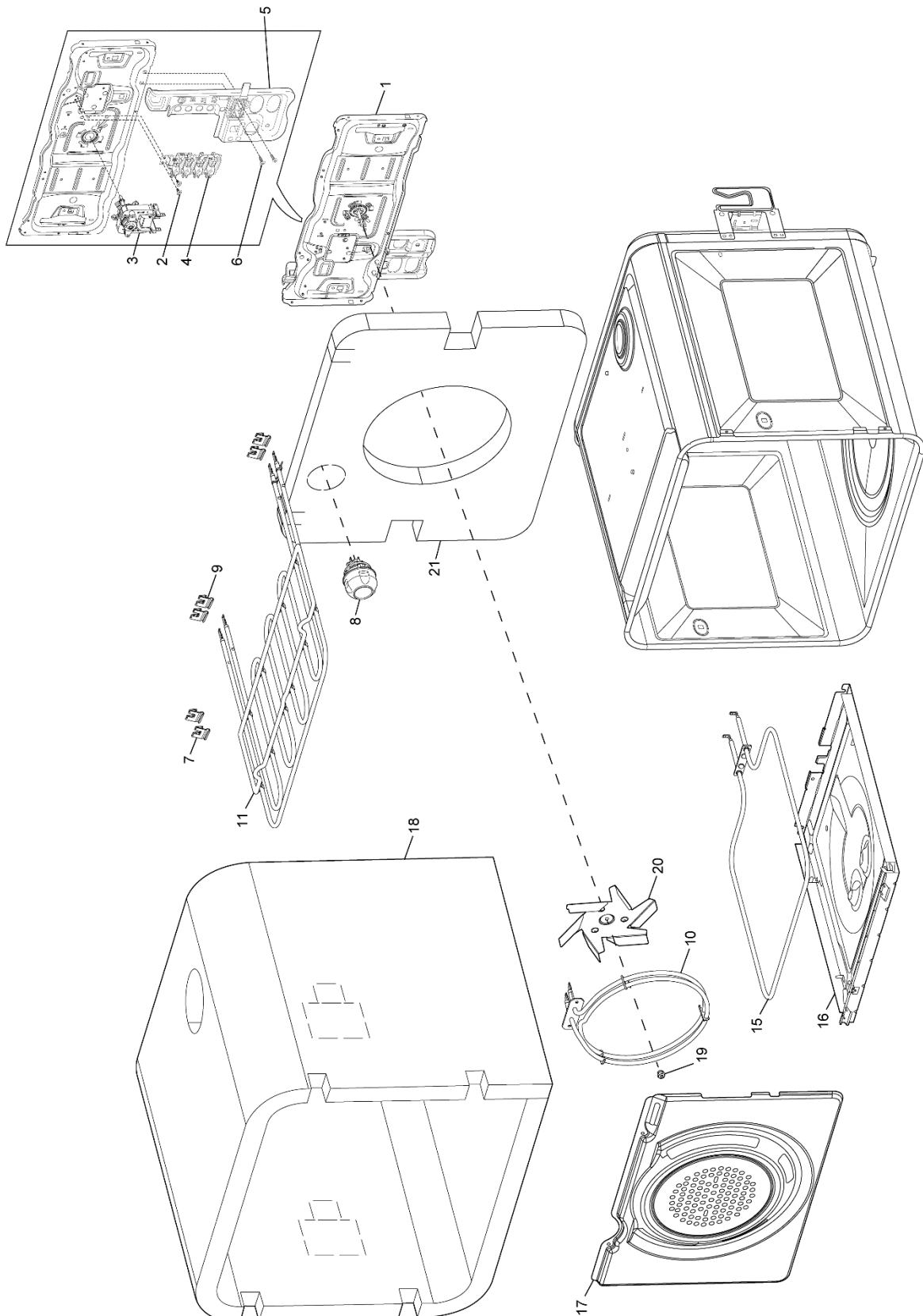


0395 002 382

MODEL: WVEP618DSC

OVEN

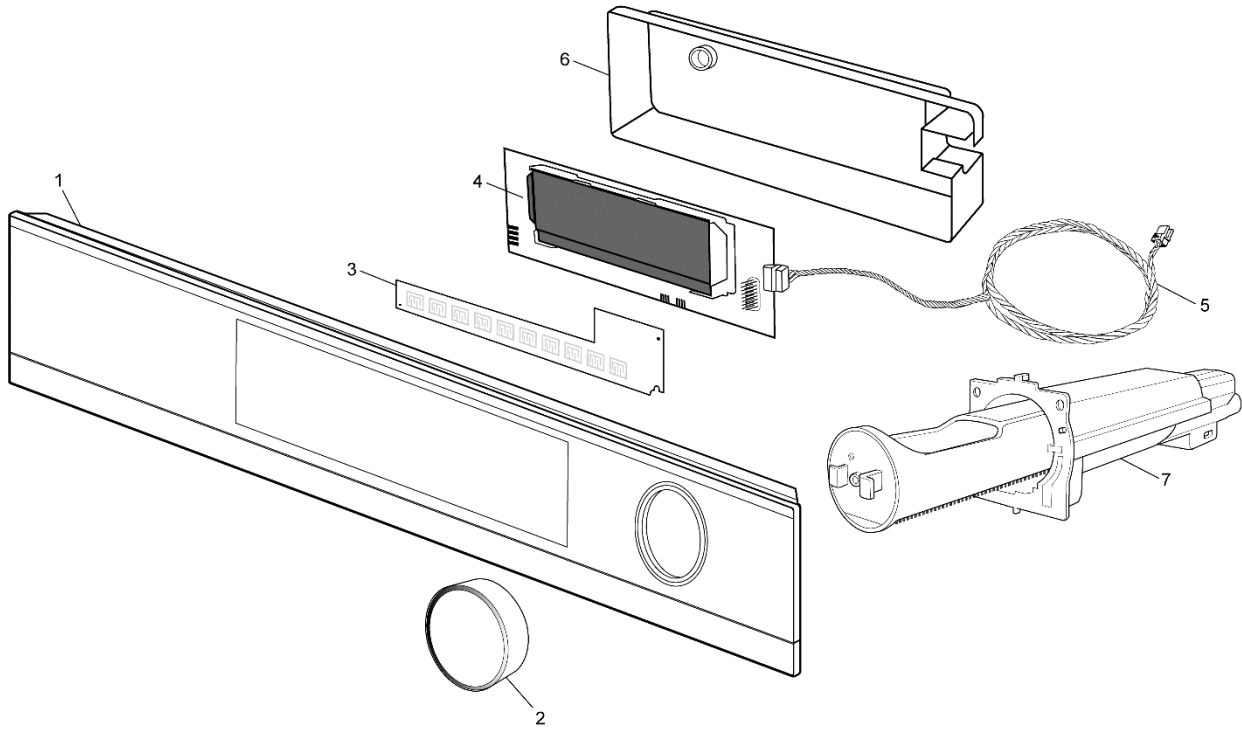
Ex 8525



MODEL: WVEP618DSC

CONTROL PANEL

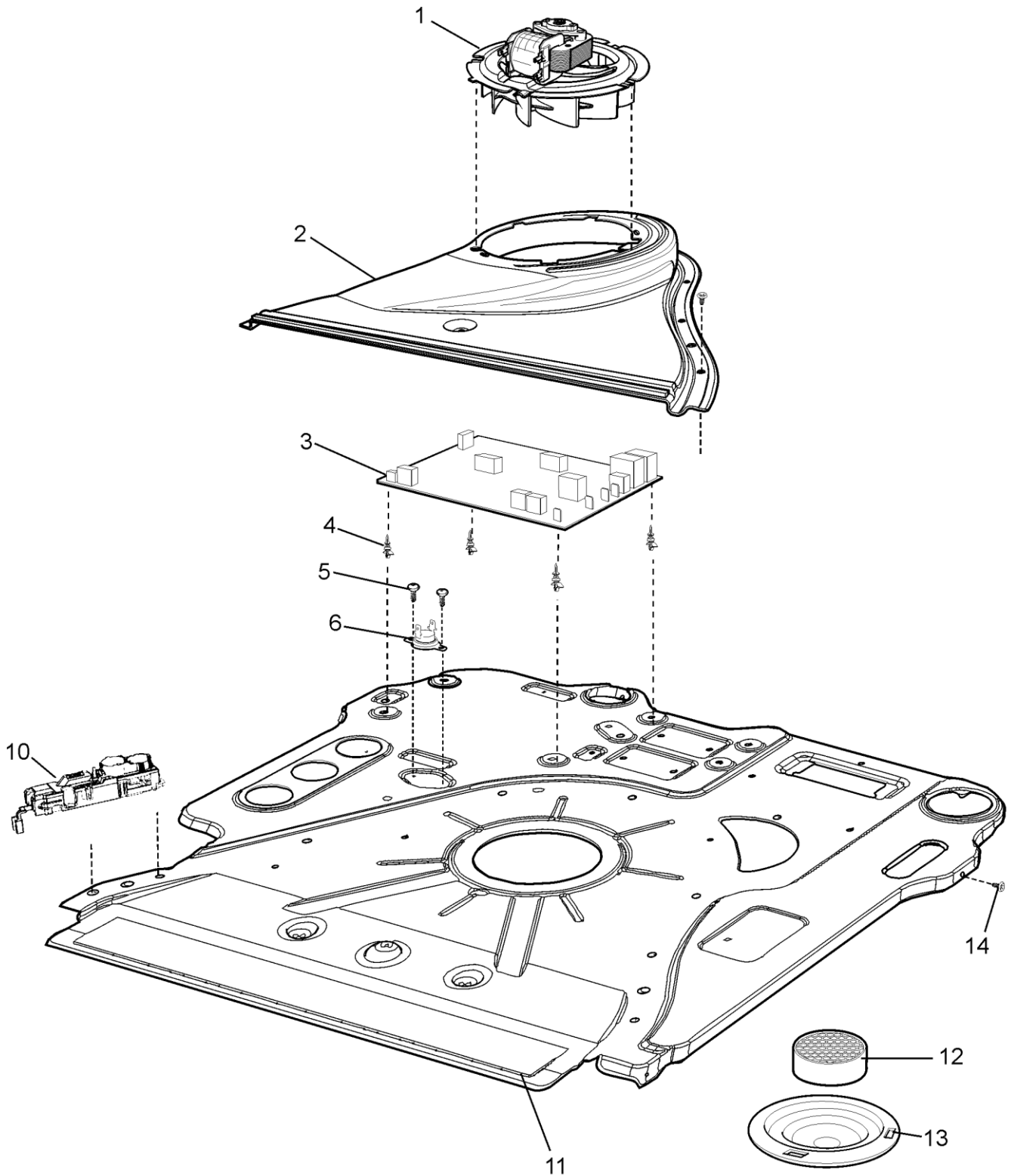
Ex 8564



MODEL: WVEP618DSC

PANEL DECK

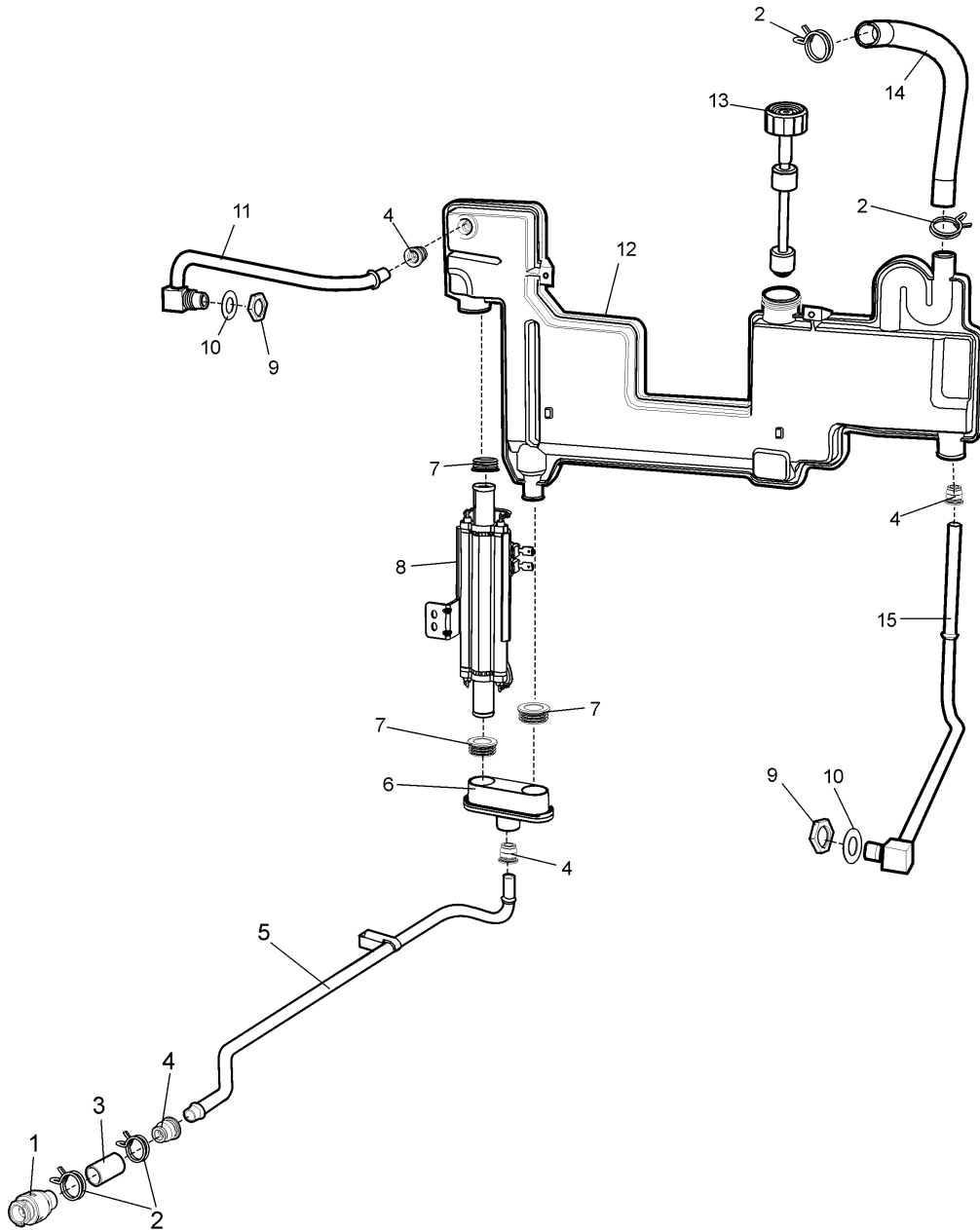
Ex 8154a



MODEL: WVEP618DSC

STEAM COMPONENTS

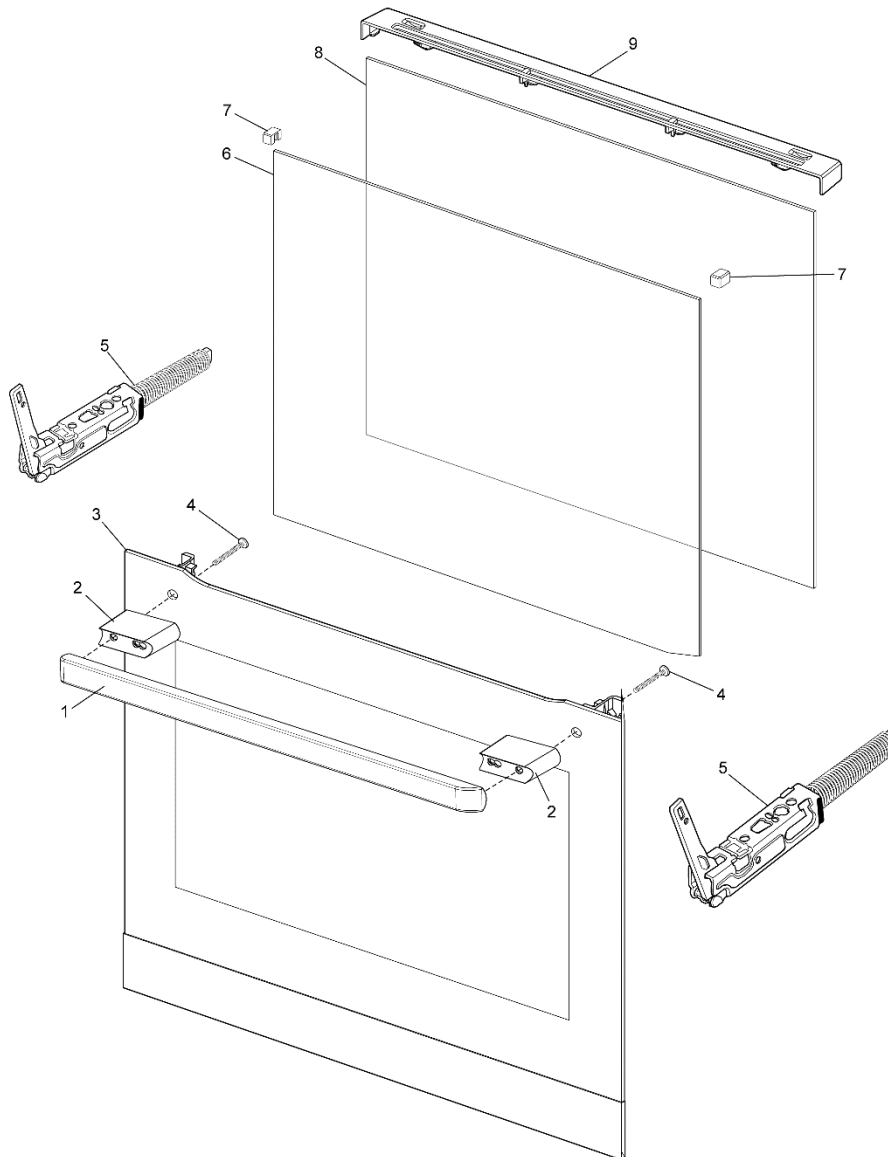
Ex 8126



MODEL: WVEP618DSC

OVEN DOOR

Ex 8530



A18820001

MODEL: WVEP618DSC

INTERNAL PACK

Ex 8565

